

VX SALT CHLORINATOR



Rainbow Pool Products

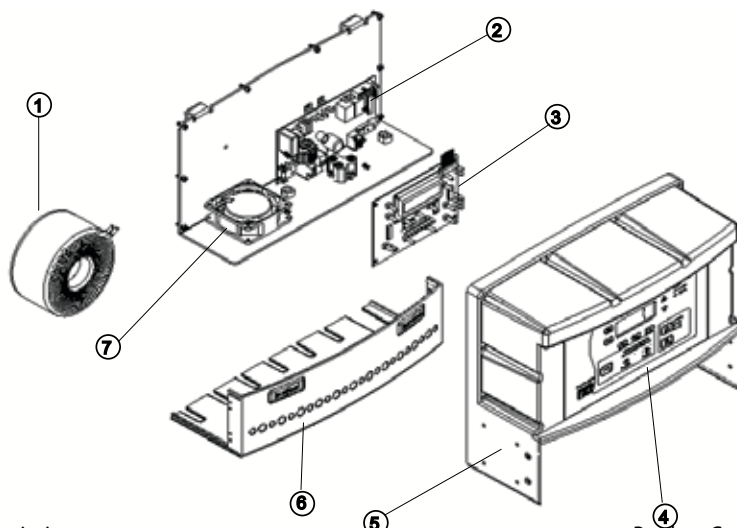
PO Box 2388, Mansfield Qld 4122

Telephone STD 61-7-3849 5385

Facsimile STD 61-7-3849 5384

Email: info@rainbowpoolproducts.com.au

Web: www.rainbowpoolproducts.com.au



Key	Description	Product Code	Qty Required
	CELL - VX 7 PLATE - V3	20906	1
5	ENCLOSURE BOX - BODY - BEIGE	10990	1
6	ENCLOSURE BOX - FRONT DRAW - BEIGE	10991	1
3	PCB - VX - DISPLAY/USER PANEL	70298	1
	POWER LEAD / CABLE - 3 PIN PLUG	703001	1
	CABLE - VX CHLORINATOR - 3 CORE	703002	1
1	TRANSFORMER - TOROIDAL - VX 6 & 7	70304	1
	BATTERY - VX CHLORINATOR	70313	1
	COMPONENT BAG-CHLORINATOR TAIL	78300	1
	PLUG BASE - 3 PIN - FLAT - 10A 2.5	20032	1
	HEYCO STRAIN RELIEF - 3.0MM	20033	2
	GASKET - INSULATOR - T0220 - SMALL	70112	1
	GASKET - INSULATOR - T0220	70212	1
	NYLON BUSH - INSULATOR - T0220	70412	3
7	COOLING FAN - 80MM - 240V AC	76223	1
2	PCB - VX CONTROL/POWER BOARD	70382	1
4	LABEL - VX CHLORINATOR- FACIA	LABEL153	1
	CLAMP - RIBBON CABLE	878000	1
	ALUMINIUM BACK PLATE VX CHLORINATOR	914502	1
	CELL BODY - VX - CLEAR	70370	
	VX3 CELL NUT	70390	
	O RING - TAIL UNION 65MM - BX/FX/CT	78104	
	LABEL - Vx3 CELL FLOW DIRECTION	LABEL252	
	VX3 NUT CAP	70391	
	CELL - VX 6 PLATE - V3 (WHOLE CELL)	20905	1
	CELL - VX 7 PLATE - V3 (WHOLE CELL)	20906	1
	CELL - VX 9 PLATE - V3 (WHOLE CELL)	20907	1
	CELL - VX 11 PLATE - V3 (WHOLE CELL)	20908	1
	CELL VX 13 PLATE - (V2 WHOLE CELL)	10988	1
	CELL INTERNALS - VX 6 - V3 - NO HOUSING	20915	1
	CELL INTERNALS VX 7 - V3 - NO HOUSING	20916	1
	CELL INTERNALS VX 9 - V3 - NO HOUSING	20917	1
	CELL INTERNALS VX 11 - V3 - NO HOUSING	20918	1
	CELL INTERNALS VX 13 - NO HOUSING	10988a	1